

GUHRING

Extremely fast.

Extremely precise.

Extremely small shanks.

NEW

Standard program HSK-A | ISO taper | MAS/BT



HYDRAULIC CHUCK HMC 3000

GUHRING - YOUR WORLD-WIDE PARTNER

With Guhring's new HMC 3000 hydraulic chuck you can for the first time clamp shank diameters smaller than 6 mm directly in the chuck.

Your advantages:

- simple handling
- perfect concentricity $R < 3 \mu\text{m}$ even with extra length chucks
- high clamping force
- quick, simple and accurate length setting
- internal and peripheral cooling
- MQL suitable



|GÜHROJET|

You benefit from:

- > LONGER TOOL LIFE
- > HIGHER PROCESS RELIABILITY
- > IMPROVED MANUFACTURING QUALITY
- > QUICK AND SIMPLE TOOL CHANGE WITH THE SAME HIGH CONCENTRICITY $< 3 \mu\text{m}$

Product information

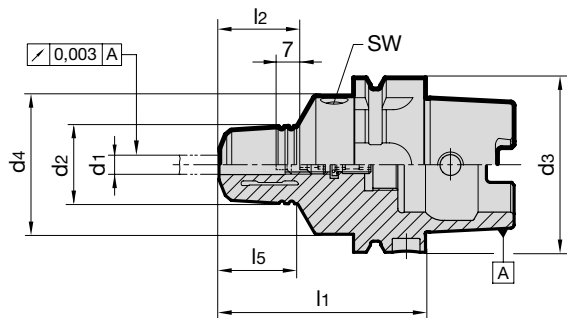
- perfect concentricity: < 3 µm at 10xd1
- balancing quality: G2.5 / 25.000 rev./min or U< 1gmm
- HSK-A to ISO 12164-1/DIN 69893-1
- high clamping force
- quick, simple handling and accurate length setting
- IC and GÜHROJET peripheral cooling ensure optimal chip evacuation and tool lubrication

Scope of delivery

- incl. length adjustment screw
- incl. hexagon chuck key Guhring no. 4912

Accessories

- order coolant delivery set Guhring no. 4949 separately
- sealed version available as special option



| | |
|-----------------------|-------------|
| Guhring no. | 4618 |
| Discount group | 114 |

| HSK-A d ₃ | for shank Ø d ₁ h ₆ mm | d ₂ mm | d ₄ mm | l ₁ mm | l ₂ mm | l ₅ mm | SW | Code no. | Availability |
|----------------------|--|-------------------|-------------------|-------------------|-------------------|-------------------|----|----------|--------------|
| 32 | 3 | 28 | 40.0 | 84.0 | 34 | 33 | 4 | 3,032 | ● |
| 32 | 4 | 28 | 40.0 | 84.0 | 34 | 33 | 4 | 4,032 | ● |
| 32 | 5 | 28 | 40.0 | 84.0 | 34 | 33 | 4 | 5,032 | ● |
| 40 | 3 | 28 | 33.5 | 74 | 34 | 40 | 4 | 3,040 | ● |
| 40 | 4 | 28 | 33.5 | 74 | 34 | 40 | 4 | 4,040 | ● |
| 40 | 5 | 28 | 33.5 | 74 | 34 | 40 | 4 | 5,040 | ● |
| 50 | 3 | 28 | 40 | 74 | 34 | 32 | 4 | 3,050 | ● |
| 50 | 4 | 28 | 40 | 74 | 34 | 32 | 4 | 4,050 | ● |
| 50 | 5 | 28 | 40 | 74 | 34 | 32 | 4 | 5,050 | ● |
| 63 | 3 | 28 | 50 | 74 | 34 | 29.5 | 5 | 3,063 | ● |
| 63 | 4 | 28 | 50 | 74 | 34 | 29.5 | 5 | 4,063 | ● |
| 63 | 5 | 28 | 50 | 74 | 34 | 29.5 | 5 | 5,063 | ● |
| 100 | 3 | 28 | 50 | 79 | 34 | 30 | 5 | 3,100 | ● |
| 100 | 4 | 28 | 50 | 79 | 34 | 30 | 5 | 4,100 | ● |
| 100 | 5 | 28 | 50 | 79 | 34 | 30 | 5 | 5,100 | ● |

ISO taper hydraulic chucks HMC 3000 for clamping small diameters

GÜHROJET

Product information

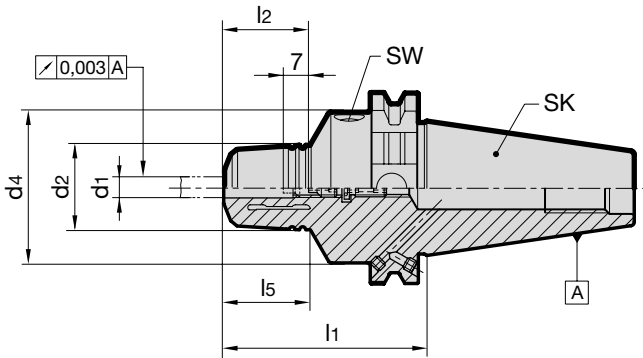
- perfect concentricity: < 3 µm at 10xd1
- balancing quality: G2.5 / 25,000 rev./min or U< 1gmm
- ISO taper to DIN ISO 7388-1 form AD/AF
- high clamping force
- quick, simple handling and accurate length setting
- IC and GÜHROJET peripheral cooling ensure optimal chip evacuation and tool lubrication

Scope of delivery

- incl. length adjustment screw
- incl. hexagon chuck key Guhring no. 4912

Accessories

- order pull studs Guhring no. 4925, 4926 separately
- sealed version available as special option



| | |
|----------------|------|
| Guhring no. | 4619 |
| Discount group | 114 |

| ISO taper | for shank Ø d1 h6 mm | d2 mm | d4 mm | l1 mm | l2 mm | l5 mm | SW | Code no. | Availability |
|-----------|----------------------|-------|-------|-------|-------|-------|----|----------|--------------|
| 40 | 3 | 28.0 | 49.5 | 84.5 | 34.0 | 34.0 | 5 | 3,040 | ● |
| 40 | 4 | 28.0 | 49.5 | 84.5 | 34.0 | 34.0 | 5 | 4,040 | ● |
| 40 | 5 | 28.0 | 49.5 | 84.5 | 34.0 | 34.0 | 5 | 5,040 | ● |

MAS/BT hydraulic chucks HMC 3000 for clamping small diameters

GÜHROJET

Product information

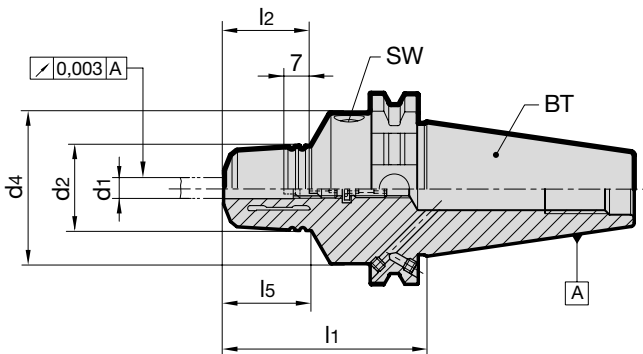
- perfect concentricity: < 3 µm at 10xd1
- balancing quality: G2.5 / 25,000 rev./min or U< 1gmm
- MAS/BT to DIN ISO 7388-2 form JD/JF (form AD/B)
- BT30 design JD without coolant delivery via collar
- high clamping force
- quick, simple handling and accurate length setting
- IC and GÜHROJET peripheral cooling ensure optimal chip evacuation and tool lubrication

Scope of delivery

- incl. length adjustment screw
- incl. hexagon chuck key Guhring no. 4912

Accessories

- order pull studs Guhring no. 4927, 4928 separately
- sealed version available as special option



| | |
|----------------|------|
| Guhring no. | 4620 |
| Discount group | 114 |

| BT | for shank Ø d1 h6 mm | d2 mm | d4 mm | l1 mm | l2 mm | l5 mm | SW | Code no. | Availability |
|----|----------------------|-------|-------|-------|-------|-------|----|----------|--------------|
| 30 | 3 | 28.0 | - | 55.0 | 34 | - | 4 | 3,030 | ● |
| 30 | 4 | 28.0 | - | 55.0 | 34 | - | 4 | 4,030 | ● |
| 30 | 5 | 28.0 | - | 55.0 | 34 | - | 4 | 5,030 | ● |
| 40 | 3 | 28.0 | 44.5 | 94.0 | 34 | 48.5 | 5 | 3,040 | ● |
| 40 | 4 | 28.0 | 44.5 | 94.0 | 34 | 48.5 | 5 | 4,040 | ● |
| 40 | 5 | 28.0 | 44.5 | 94.0 | 34 | 48.5 | 5 | 5,040 | ● |

Guhring HMC 3000 hydraulic chucks are available for shank diameters from 2 to 5 mm and for all common interfaces such as, for example, HSK 25 to 100, SK 30 to 50 and BT 30 to 50.



GÜHROJET

GUHRING

The compact design of HMC 3000 chucks tailored to the application of very small tools minimises the interference contour of the chuck and offers optimal pre-conditions for high machining speeds.

Thanks to peripheral cooling lubrication the tool's cutting edges are optimally supplied even with external cooling. Of course tools with internal cooling can also be applied in HMC 3000 chucks.

DRILLING

TAPPING/THREAD
MILLING/FLUTELESS
TAPPING

MILLING

REAMING

PCD/PCB



SPECIAL TOOLING
SOLUTIONS

COUNTERSINKING/
DE-BURRING

MODULAR TOOLING SYSTEMS

TOOL RESTORATION SERVICE

GUHRING

Guhring KG

P.O. Box 100247 • 72423 Albstadt
Herderstraße 50-54 • 72458 Albstadt

Tel. +49 74 31 17-0
Fax +49 74 31 17-21 279
info@guehring.de
www.guehring.de